

# 2284N 高速单针曲折缝缝纫机

HIGH-SPEED ONE-NEEDLE ZIGZAG STITCHING MACHINE

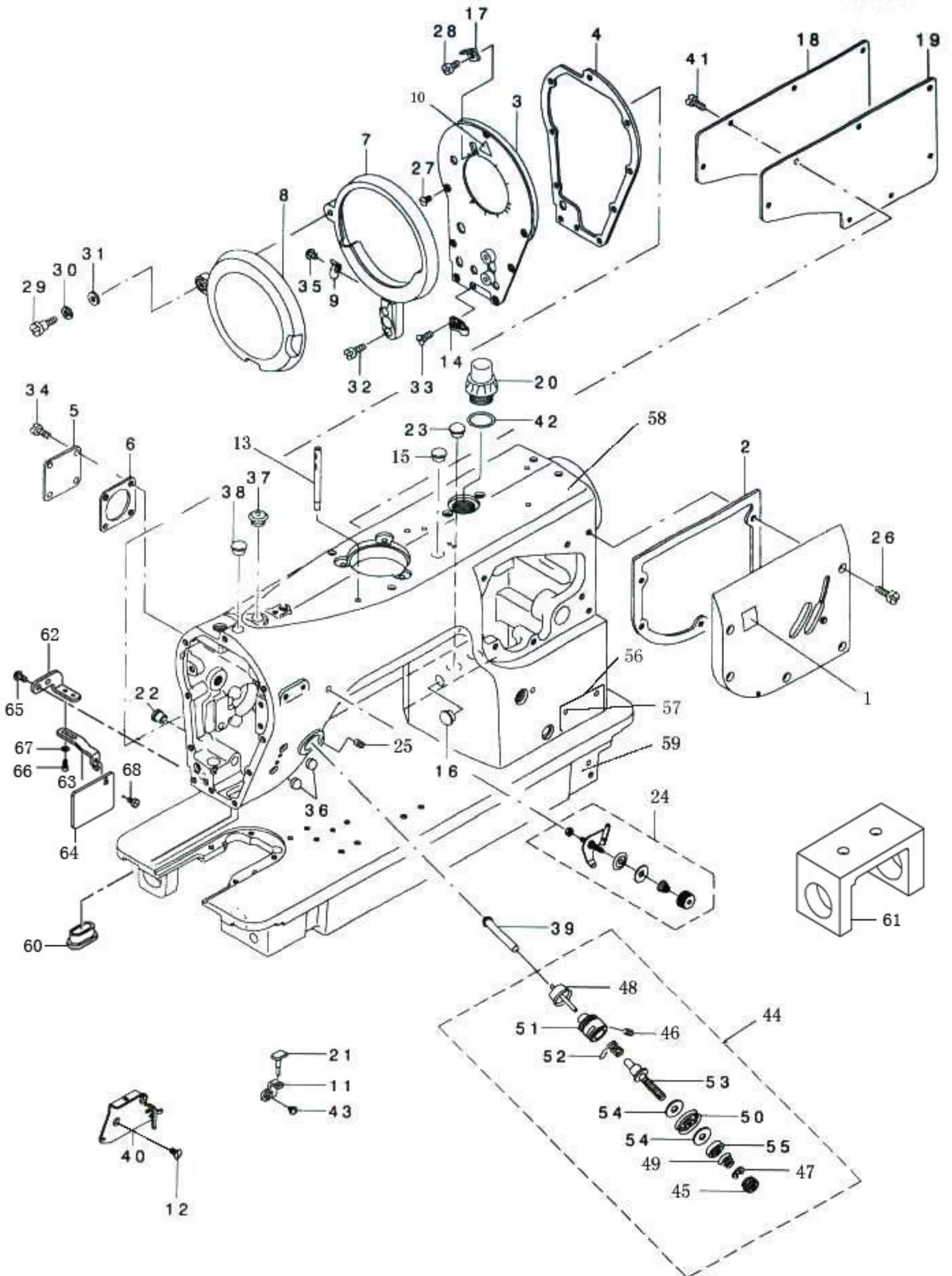
## 零件样本 PARTS BOOK

感谢您购买本公司的产品。  
为了安全地使用，请您在使用之前一定阅读本使用说明书。  
另外，请您注意保管本使用说明书，以便随时查阅。

Read safety instructions carefully and understand them before using.  
Retain this Instruction Manual for future reference.

1. 机头、外露部件 (1)

FRAME & MISCELLANEOUS COVER COMPONENTS (1)



**特种机系列>2284> 1机头、外露部件**

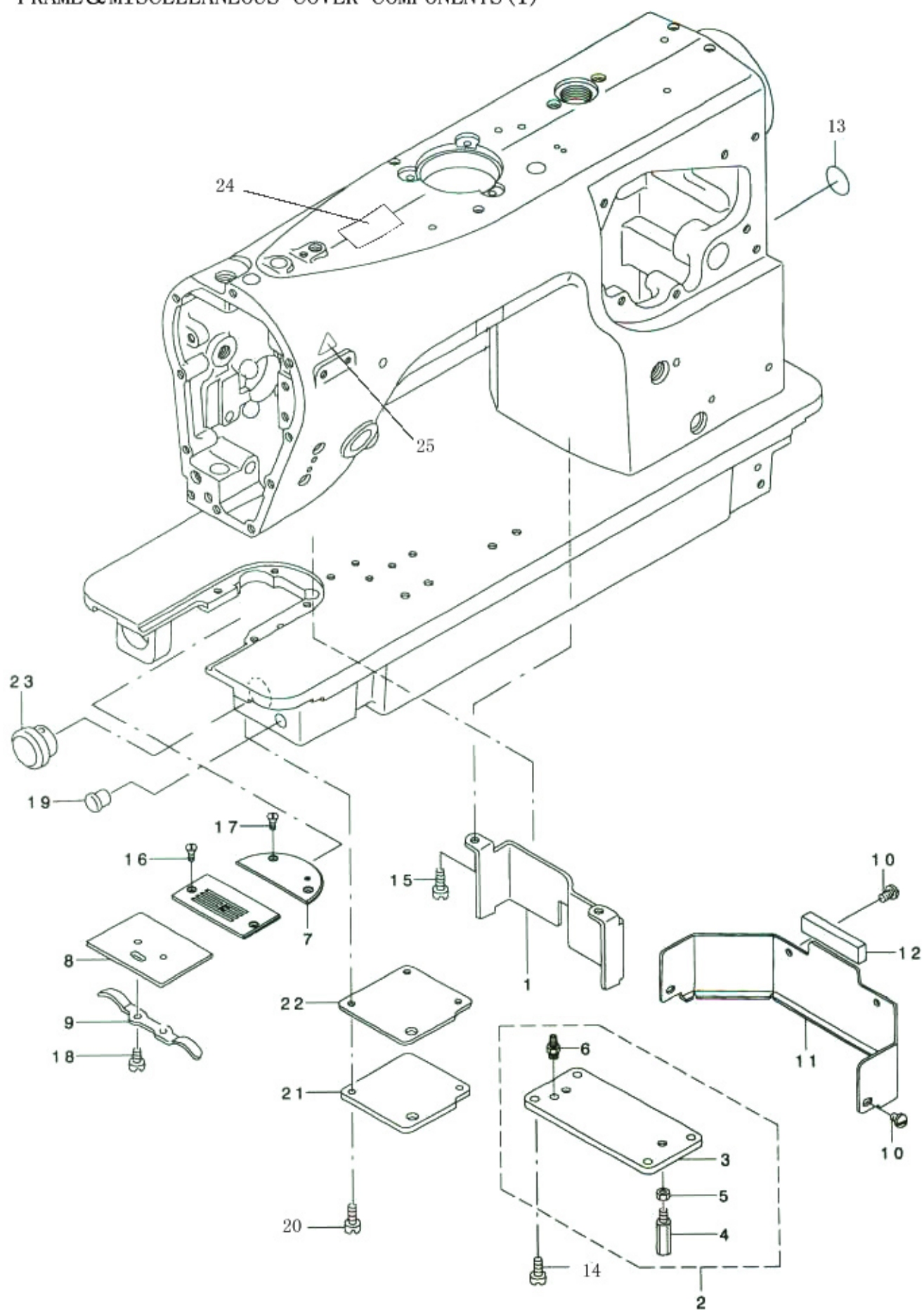
序号NO	品号CODE	名称	NAME	数量
1	/	操作图章	OPERATION SEAL	1
2	PF22840102	机壳前盖板垫	GASKET	1
3	PF22840103	面板	FACE PLATE COMPL.	1
4	PF22840104	面板垫	GASKET OF FACE PLATE	1
5	PF22840105	松线窗盖板	TENSION RELEASE WINDOW PLATE	1
6	PF22840106	松线窗盖板垫	GASKET	1
7	PF22840107	平盖底座	BALANCE COVER BASE	1
8	PF22840108	平盖	BALANCE COVER	1
9	PF22840109	弹簧片	SPRING	1
10	/	警告标牌	ATTENTION SEAL	1
11	PF22840111	挑线簧防护架	SPRING GUARD	1
12	PF19000752	导线板螺钉	SCREW 11/64-40 L=8	2
13	PF22840113	导线柱	THREAD GUIDE PIN	1
14	PF22840114	面板线勾	SPRING GUARD	1
15	PF22840115	橡皮塞	RUBBER PLUG	1
16	PF22840716	橡皮塞	RUBBER PLUG	1
17	PF22840117	挑线割线刀	TAKE-UP THREAD CUTTER	1
18	PF22840118	后盖板	SIDE PLATE	1
19	PF22840119	后盖板垫	GASKET	1
20	PF888056D112	示油窗	OIL SIGHT WINDOW	1
21	PF22840121	限位橡皮	RUBBER STOPPER	1
22	PF22840122	橡皮塞	PLUG D=8 L=4.5	1
23	PF22840716	橡皮塞	RUBBER PLUG	1
24	PF22840124	预张力夹线器组件	PRE-TENSION CONTROLLER ASM.	1
25	PF20521123	夹线器螺钉	SCREW 11/64-40 L=6.5	1
26	PF2284050702	前盖板螺钉	SCREW 3/16-28 L=14	5
27	PF5550637	面板螺钉	SCREW 11/64-40 L=8	7
28	PF22840128	挑线割线刀螺钉	SCREW 1/8-44 L=3.8	1
29	PF22840129	平盖铰链螺钉	HINGE SCREW D=6.35 H=7.5	1
30	PF22840130	波形垫圈	WAVED WASHER 6.4×11×0.3	1
31	PF22840131	平盖铰链垫圈	WASHER 6.5×11×1	1
32	PF22840132	平盖底座固定螺钉	SCREW 11/64-40 L=9	2
33	PF22840133	面板线勾螺钉	SCREW 9/64-40 L=7	1
34	PF5550230	松线窗盖板螺钉	SCREW 3/16-28 L=6	4
35	PF5550230	弹簧片螺钉	SCREW 3/16-28 L=6	1
36	PF22840136	橡皮塞	DRIVING STOPPER RUBBER	2
37	PF22840115	橡皮塞	RUBBER PLUG	1
38	PF22840716	橡皮塞	PLUG	1
39	PF22840139	松线顶杆	THREAD RELEASE	1
40	PF22840140	导线板	BALANCE THREAD GUIDE	1
41	PF555016	后盖板螺钉	SCREW 3/16-28 L=10	8
42	PF5550825	示油窗O形圈	RUBBER RING	1
43	PF22840143	挑线簧防护架螺钉	SCREW 9/64-40 L=3.5	1
44	PF22840144	夹线器组件	THREAD TENSION ASM.	1
45	/	夹线螺母	TENSION NUT	(1)
46	/	夹线座螺钉	SCREW 9/64-40 L=5.5	(1)
47	/	夹线螺母止动片	ROTATING STOPPER	(1)
48	/	松线钉	TENSION RELEASE PIN ASM.	(1)

49	/	夹线簧	TENSION SPRING	(1)
50	/	夹线盘组件	THREAD TENSION DISK COMPL.	(1)
51	/	夹线座	THREAD TENSION ROD ASM.	(1)
52	/	挑线簧	TAKE-UP SPRING	(1)
53	/	夹线螺钉	THREAD TENSION POST ASM.	(1)
54	/	毛毡	FELT	(2)
55	/	夹线板	TENSION DISC HOLDER	(1)
56	/	型号牌	MODEL PLATE	1
57	/	铆钉	RIVET	2
58	PF22840147	机壳	ARM	1
59	PF22840148	底板	BED	1
60	PF2284014701	针杆摆动槽挡油板	ARM OIL SHIELD	1
61	PF2284014801	送料摇杆支架	FEED DRIVING ROCKER SUPPORT	1
62	PF22900167	护目镜安装板	GUARD VIEW INSTALLING BASE	1
63	PF22900166	护目镜安装支架	GUARD VIEW SUPPORT	1
64	PF22900165	护目镜	GUAER VIEW	1
65	PF22840304	护目镜安装板螺钉	SCREW 11/64-40 L=7.8	2
66	PF555068	护目镜安装支架螺钉	SCREW 1/8-44 L4.5	1
67	/	垫片	WASHER	1
68	PF5550312	护目镜螺钉	SCREW 9/64-40 L=6	1



## 2. 机座、外露盖板部件 (2)

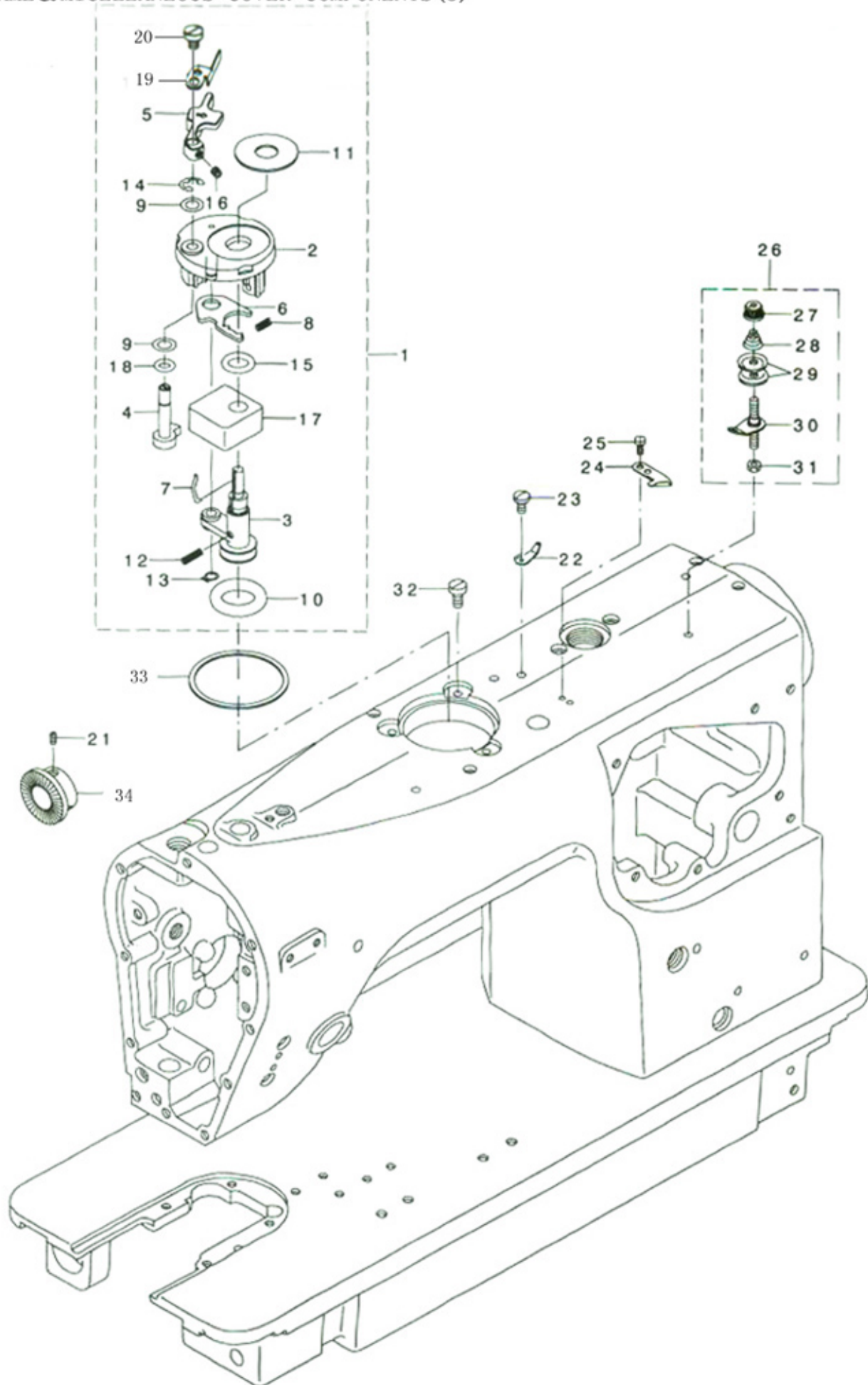
### FRAME & MISCELLANEOUS COVER COMPONENTS (1)



## 特种机系列>2284> 2机头、外露部件 (2)

序号NO	品号CODE	名称	NAME	数量
1	PF22840201	支承板	SUPPORT PLATE	1
2	/	螺旋齿轮箱盖组件	HELICAL GEAR BOX COVER ASM.	1
3	PF2284020201	螺旋齿轮箱盖	HELICAL GEAR BOX COVER	(1)
4	PF2284020202	底板支承螺钉	BED SCREW STUD	(2)
5	PF6842C07	底板支承螺母	NUT 5/16-24	(2)
6	PF2284020204	排油连接螺钉	CONNECTING SCREW	(1)
7	PF22840203	半月板	BED PLATE	1
8	PF22840204	推板	BED SLIDE	1
9	/	推板簧	BED SLIDE SPRING	1
10	PF22840304	防油罩板螺钉	SCREW 11/64-40 L=5	2
11	PF22840207	防油罩板	OIL SHIELD PLATE	1
12	PF22840208	防油橡胶	OIL SHIELD RUBBER	1
13	/	接地标志	GROUND MARK	1
14	PF6150227	齿轮箱盖螺钉	SCREW 11/64-40 L=9	4
15	PF6150227	支承板螺钉	SCREW 11/64-40 L=12	2
16	PF22840133	针板螺钉	SCREW 9/64-40 L=7.5	2
17	PF22840133	半月板螺钉	SCREW 9/64-40 L=7.5	2
18	/	推板簧螺钉	SCREW 3/32-56 L=1.9	2
19	PF22840215	橡皮塞	RUBBER PLUG	1
20	PF6150227	螺旋斜齿箱盖螺钉	SCREW 11/64-40 L=9	3
21	PF22840217	螺旋斜齿箱盖	HELICAL BEVEL GEAR BOX COVER	1
22	PF22840218	螺旋斜齿箱盖垫	GASKET	1
23	PF22840219	尼龙塞	NYLON CAP	1
24	/	注意不干胶	CAUTION LABEL	1
25	/	安全标志	SAFETY LABEL	1

3. 机头、外露夹线部件  
FRAME & MICELLANEOUS COVER COMPONENTS (3)



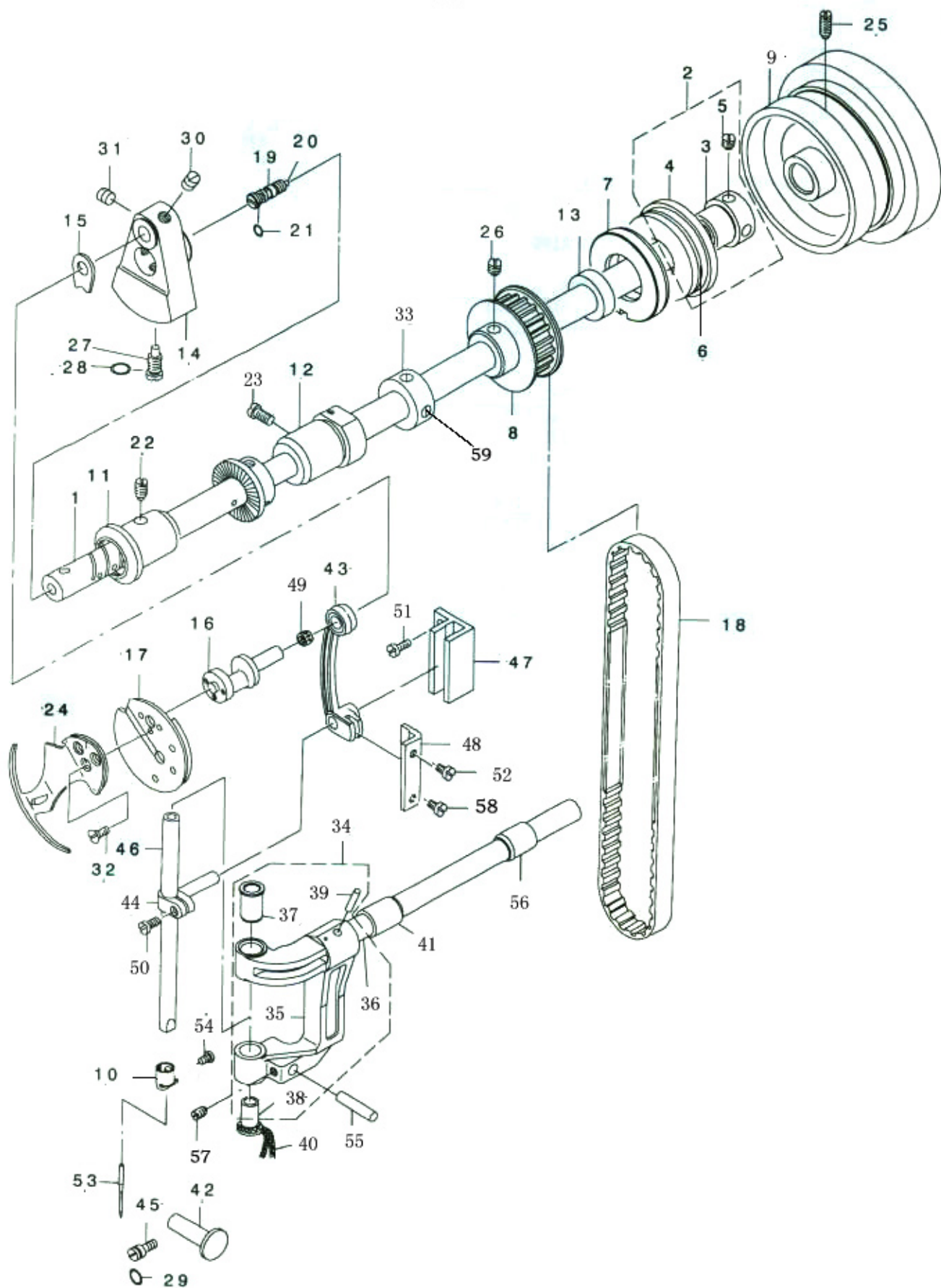
**特种机系列>2284> 3机头、外露夹线部件 (3)**

序号NO	品号CODE	名称	NAME	数量
1	PF22840301	绕线器组件	BOBBIN DEVICE ASM.	1
2	/	绕线器座(组件)	BOBBIN FITTINGBASIS COMPL.	(1)
3	/	绕线轴组件	BOBBIN SHAFT COMPL.	(1)
4	/	绕线凸轮轴(组件)	BOBBIN CAM SHAFT COMPL.	(1)
5	/	绕线控制扳手	BOBBING LEVER	(1)
6	/	杠杆	ADJUSTING PLATE	(1)
7	/	梭心防转弹簧	LATCH SPRING	(1)
8	/	弹簧	PRESSUR FOOT SPRING	(1)
9	/	垫片	VERTICAL ROLLER WASHER	(2)
10	/	橡皮圈	RUBBER RING	(1)
11	/	缓冲梭心垫	CUSHION	(1)
12	/	绕线轴弹簧	SPRING	(1)
13	/	轴用弹性挡圈	RETAINING RING	(1)
14	/	开口挡圈	E-RING	(1)
15	/	O形圈	RUBBERRING	(1)
16	/	绕线控制扳手螺钉	SCREW 9/64-40 L=13	(1)
17	/	蓄油海棉	OILRESERVOIR BASE	(1)
18	/	O形圈	O-RING	(1)
19	/	压线片	PUSH THREAD PLATE	(1)
20	/	压线片螺钉	SCREW SM9/64-40 L=5	(1)
21	PF90008129	绕线轮螺钉	SCREW 1/4-40 L=6	2
22	PF22840303	导线器	THREAD GUIDE	1
23	PF22840304	导线器螺钉	SCREW 11/64-40 L=7.8	1
24	PF90000132	割线刀	THREAD CUTTER	1
25	PF555068	割线刀螺钉	SCREW 9/64-40 L=6	2
26	PF22840307	绕线器夹线器组件	BOBBIN THREAD TENSION ASM.	1
27	/	夹线螺母	THREAD TENSION NUT	(1)
28	/	夹线弹簧	THREAD TENSION SPRING	(1)
29	/	夹线板	BOBBIN WINDER TENSION DISC	(2)
30	/	夹线螺柱组件	BOBBING THREAD TENSION ROD ASM.	(1)
31	/	夹线螺柱螺母	NUT 11/64-40	(1)
32	PF22840308	绕线器固定螺钉	SCREW 3/16-28 L=10	3
33	PF22840309	垫圈	PACKING	1
34	PF22840310	绕线轮	DRIVING WHEEL	1



#### 4. 上轴、针杆部件

#### MAIN SHAFT, NEEDLE BAR COMPONENTS (4)



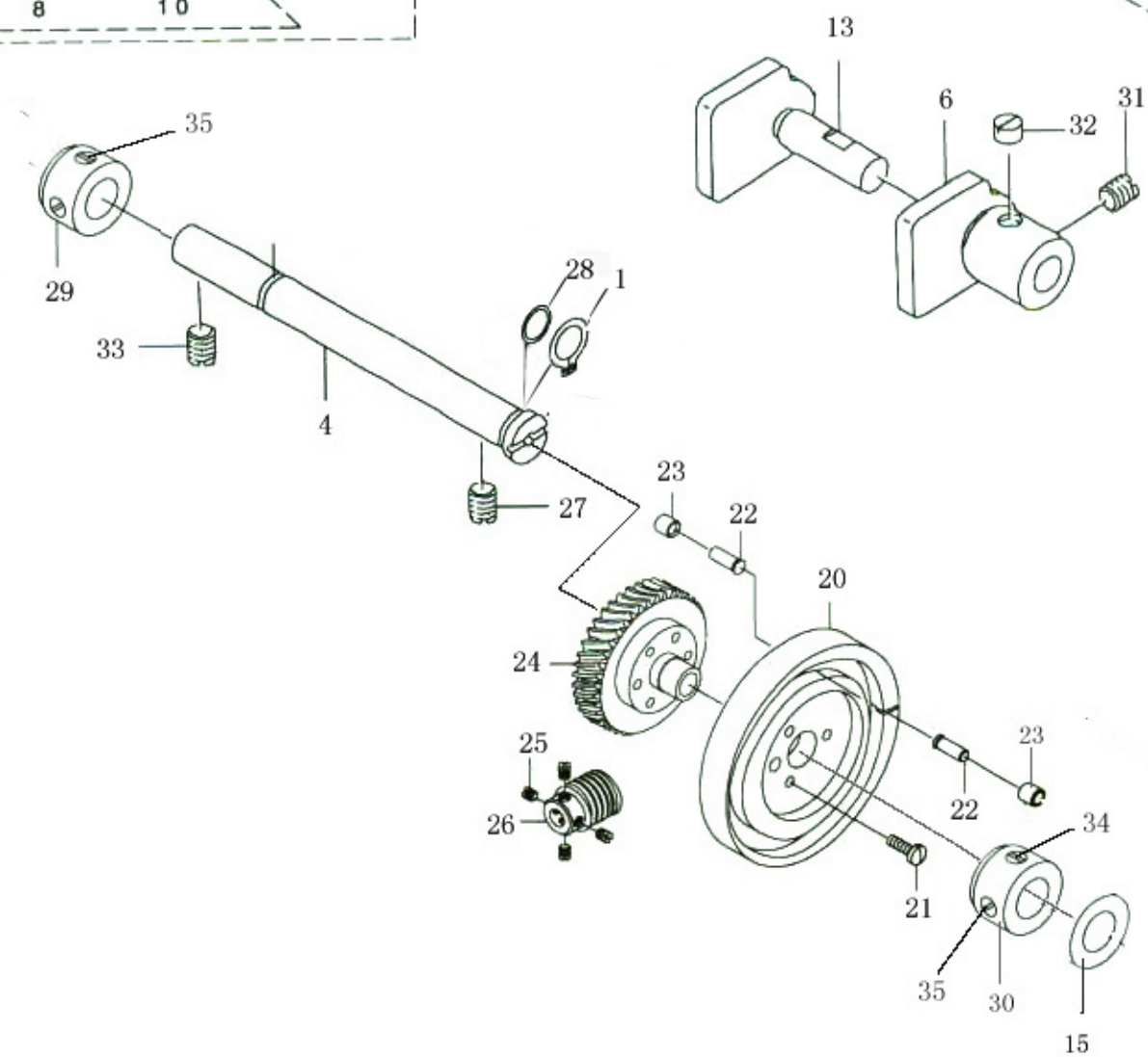
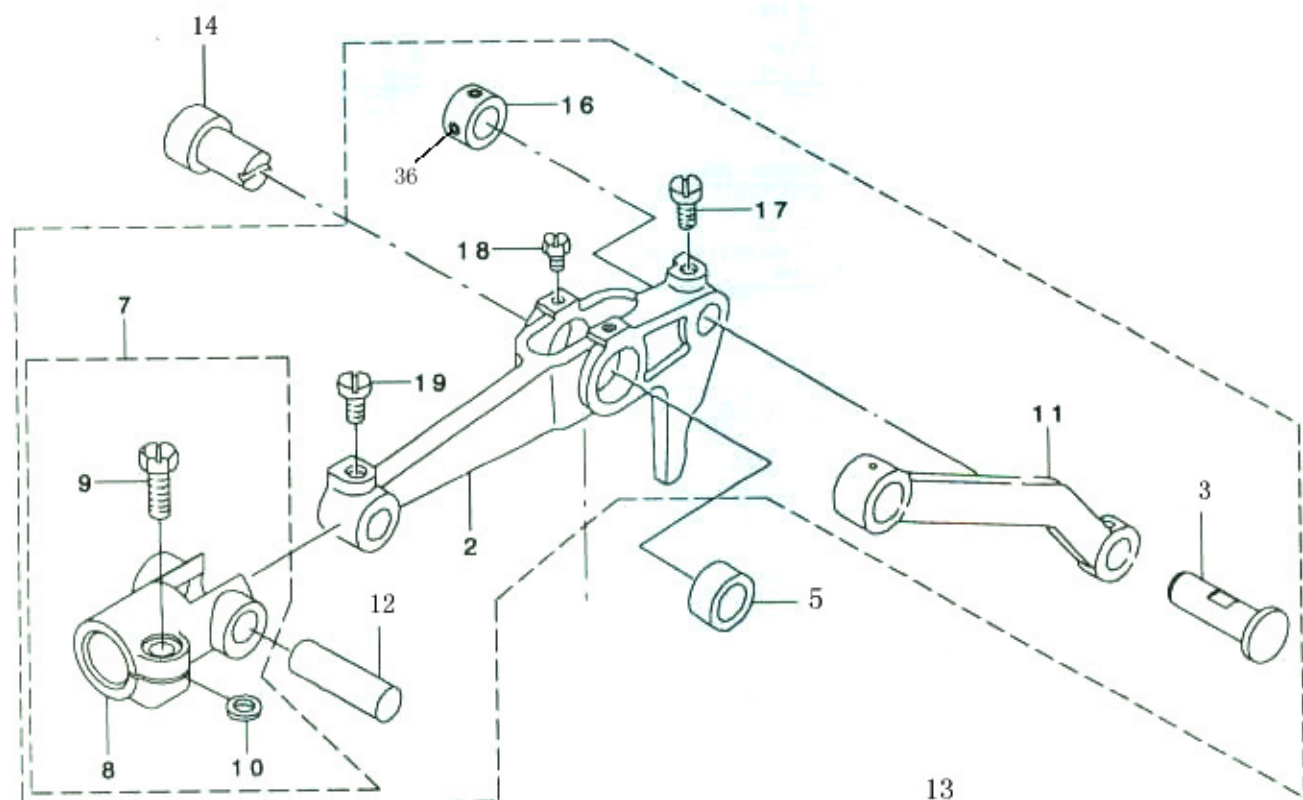
**特种机系列>2284> 4上轴、针板部件**

序号NO	品号CODE	名称	NAME	数量
1	PF22840401	主轴	MAIN SHAFT	1
2	/	挡圈组件	THRUST COLLAR ASM.	1
3	PF2284040201	挡圈	THRUST COLLAR	(1)
4	PF2284040202	轴承	BEARING D=20×47	(1)
5	PF90008129	挡圈螺钉	SCREW 1/4-40 L=6	(2)
6	PF2284040205	油封	OIL SEAL	1
7	PF22840403	油封挡圈	OIL SEAL COLLAR	1
8	PF22840404	上轴同步轮	SPROCKET	1
9	PF22840405	上轮	HAND WHEEL	1
10	PF22840406	针杆过线勾	NEEDLE ROD THREAD RACK	1
11	PF22840407	主轴前套筒	MAIN SHAFT BUSHING .FORNT	1
12	PF22840408	主轴中套筒	MAIN SHAFT BUSHING .INTERMEDIA	1
13	PF22840409	油封	OIL SEAL	1
14	PF22840410	针杆曲柄	COUNTER WEIGHT	1
15	PF22840411	针杆曲柄轴承垫圈	COUNTER WEIGHT PROTECTING PLATE	1
16	PF22840412	挑线曲柄	NEEDLE BAR CRANK	1
17	PF22840413	平衡盘组件	TAKE-UP COUNTER WEIGHT ASM.	1
18	PF22840414	同步带	TIMING BELT	1
19	PF5550212	销	PIN	1
20	PF5550213	油芯	OIL WICK	1
21	PF5550214	O型圈	RUBBER RING	1
22	PF7810316	主轴前套筒螺钉	SCREW 15/64-28 L=10.5	1
23	PF7810316	主轴中套筒螺钉	SCREW 15/64-28 L=11	1
24	PF22840420	旋转挑线杆	BALANCE V	1
25	PF555022	上轮主头螺钉	SCREW 15/64-28 L=15	2
26	PF90008129	上轴同步轮主头螺钉	SCREW 1/4-40 L=6	2
27	PF5550216	针杆曲柄螺钉	SCREW 9/32-28 L=16	1
28	PF5550217	O型圈	RUBBER RING	1
29	PF22840425	O型圈	RUBBER RING 8x4.5x1.75	1
30	PF90008129	挑线曲柄螺钉	SCREW 1/4-40 L=6	2
31	PF22840427	针杆曲柄螺钉	SCREW 9/32-28L=7	1
32	PF22840133	旋转挑线杆螺钉	SCREW 9/64-40 L=8.6	3
33	PF555026	挡圈	THRUST COLLAR ASM. D=14.72 W=12	1
34	PF22840430	针杆摆动组件	NEEDLE BAR YOKE ASM.	1
35	/	针杆摆动架	NEEDLE BAR YOKE	(1)
36	/	摆动架轴	SHAFT	(1)
37	/	针杆套(上)	NEEDLE BAR BUSHING ,UPPER D=7	(1)
38	/	针杆套(下)	NEEDLE BAR BUSHING ,LOWER D=7	(1)
39	/	弹簧销	SPRING PIN	(1)
40	PF19000911	油线	OIL WICK	0.1
41	PF22840432	摆动架轴前套	FEED ROCKER SHAFT BUSHING	1
42	PF22840433	针杆摆动限位销	NEEDLE BAR YOKE PRESSER	1
43	PF22840434	曲柄连杆组件	NEEDLE BAR CRANK ROD ASM.	1
44	PF22840435	针杆连接柱	NEEDLE BAR CONNECTION	1
45	PF22840436	针杆摆动限位销螺钉	SCREW	1
46	PF22840437	针杆	NEEDLE ROD	1
47	PF22840438	针杆连接柱导轨	NEEDLE BAR CONNECTION GUIDE	1
48	PF22840439	曲柄连杆导轨	CTANK ROD GUIDE	1
49	PF55502241	连杆轴承	NEEDLE BEARING ,A	1

50	PF7810442	针杆连接柱螺钉	SCREW 9/64-40 L=8.5	1
51	PF22840730	导轨螺钉	SCREW 11/64-40 L=9	2
	PF7811035	垫片(8.4*4.8*0.8)	WASHER	2
52	PF6150227	导轨螺钉(短)	SCREW 11/64-40 L=7	1
53	DTDP5#11	机针	NEEDLE 438 #75	1
54	PF5550312	针杆过线勾螺钉	SCREW 1/8-44 L=4.9	1
55	PF22840446	针杆摆动架导向销	GUIDE PIN	1
56	PF22840447	针杆摆动架后套	SHAFT BUSHING , REAR	1
57	PF22840448	针杆摆动架导向销螺钉	SCREW 3/16-28 L=7	1
58	PF6150227	导轨螺钉(长)	SCREW 11/64-40 L=10	1
59	PF90008129	挡圈螺钉	SCREW	2

# 5. 摆针部件 (1)

## NEEDLE VIBRATOR & ADJUSTMENT COMPONENTS(1)



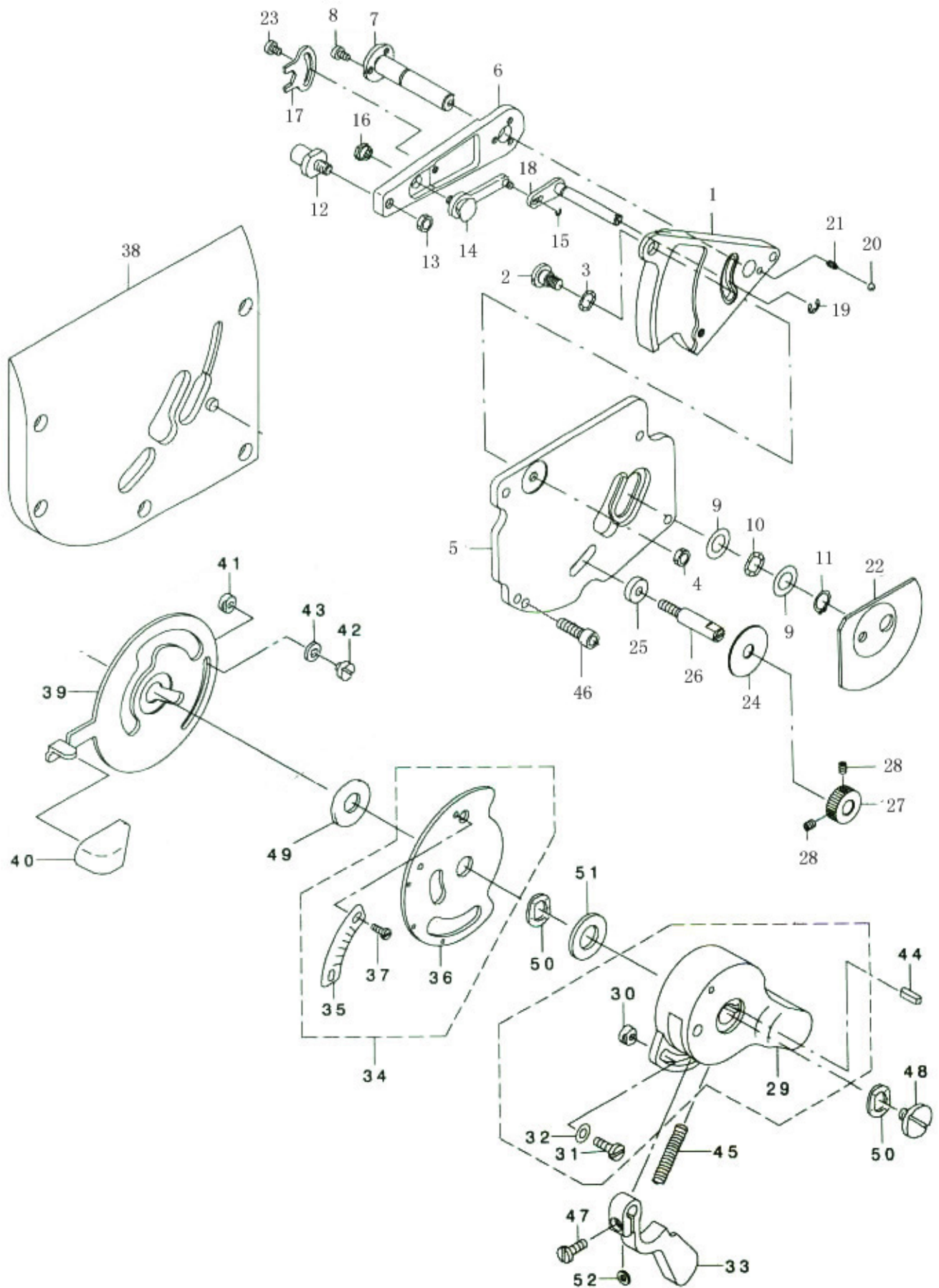
**特种机系列>2284> 5摆针部件 (1)**

序号NO	品号CODE	名称	NAME	数量
1	SCJ1017	开口环	SNAP RING M10	1
2	PF22840502	针杆摆动连杆	DRIVE LINK ASM.	1
3	PF22840503	摆针传动连杆销	LINK	1
4	PF22840504	摆针凸轮轴	NEEDLE VIBRATING CAM SHAFT	1
5	PF22840505	针杆摆动连杆套	BUSHING	1
6	PF22840506	摆动连杆导向块A	DRIVE LINK GUIDE A	1
7	/	针杆摆动轴座组件	SHAFT CONNECTION ASM.	1
8	PF2284050701	针杆摆动轴座	SHAFT CONNECTION	(1)
9	PF2284050702	针杆摆动轴座螺钉	SCREW 3/16-28 L=14	(1)
10	/	垫片	WASHER 5. 1X7. 5X0. 5	(1)
11	PF22840508	摆针传动连杆	LINK	1
12	PF22840509	针杆摆动轴座销	PIN D	1
13	PF22840510	摆动连杆导向块B	DRIVE LINK GUIDE B	1
14	PF22840511	针杆摆动连杆轴	PIN A	1
15	/	垫圈	WASHER	1
16	PF22840513	挡圈	THRUST COLLAR	1
17	PF68425A08	摆针传动连杆螺钉	SCREW 11/64-40 L=8. 5	1
18	PF22840515	针杆摆动连杆轴螺钉	SCREW 9/64-40 L=5. 5	2
19	PF68425A08	针杆摆动连杆螺钉	SCREW 11/64-40 L=8. 5	1
20	PF22840517	针迹凸轮	NEEDLE CAM	1
21	PF22840518	针迹凸轮螺钉	SCREW 11/64-40 L=14	3
	PF7811035	垫片(8. 4*4. 8*0. 8)	WASHER	3
22	PF22840519	针迹凸轮滚轮轴	NEEDLE CAM ROLLER SHAFT	2
23	PF22840520	针迹凸轮滚柱	NEEDLE CAM ROLLER A	2
24	PF22840521	蜗轮	WORM WHEEL COMPL.	1
25	PF90008129	蜗杆螺钉	SCREW 1/4-40 L=6	4
26	PF22840523	蜗杆	WORM A	1
27	BF310164556	摆针凸轮轴螺钉	SCREW 1/4-40 L=8. 5	1
28	PF22840525	橡皮圈	RUBBER RING 10. 8x7x1. 9	1
29	PF22840526	挡圈	THRUST COLLAR ASM. D=10. 32 W=1	1
30	PF22840526	挡圈	THRUST COLLAR ASM. D=10. 32 W=1	1
31	PF7810316	摆动连杆导向块A螺钉	SCREW 15/64-28 L=7	1
32	PF615034	摆动连杆导向块A螺钉	SCREW 1/4-40 L=4. 2	1
33	PF1900A0704	摆针凸轮轴螺钉	SCREW M6 L=6	1
34	PF22840531	挡圈螺钉	SCREW 1/4-40 L=10	1
35	PF90008129	挡圈螺钉	SCREW 1/4-40 L=6	3
36	PF20521130	挡圈螺钉	SCREW 9/64-40 L=5	2



## 6. 摆针部件 (2)

### NEEDLE VIBRATOR & ADJUSTMENT COMPONENTS (2)



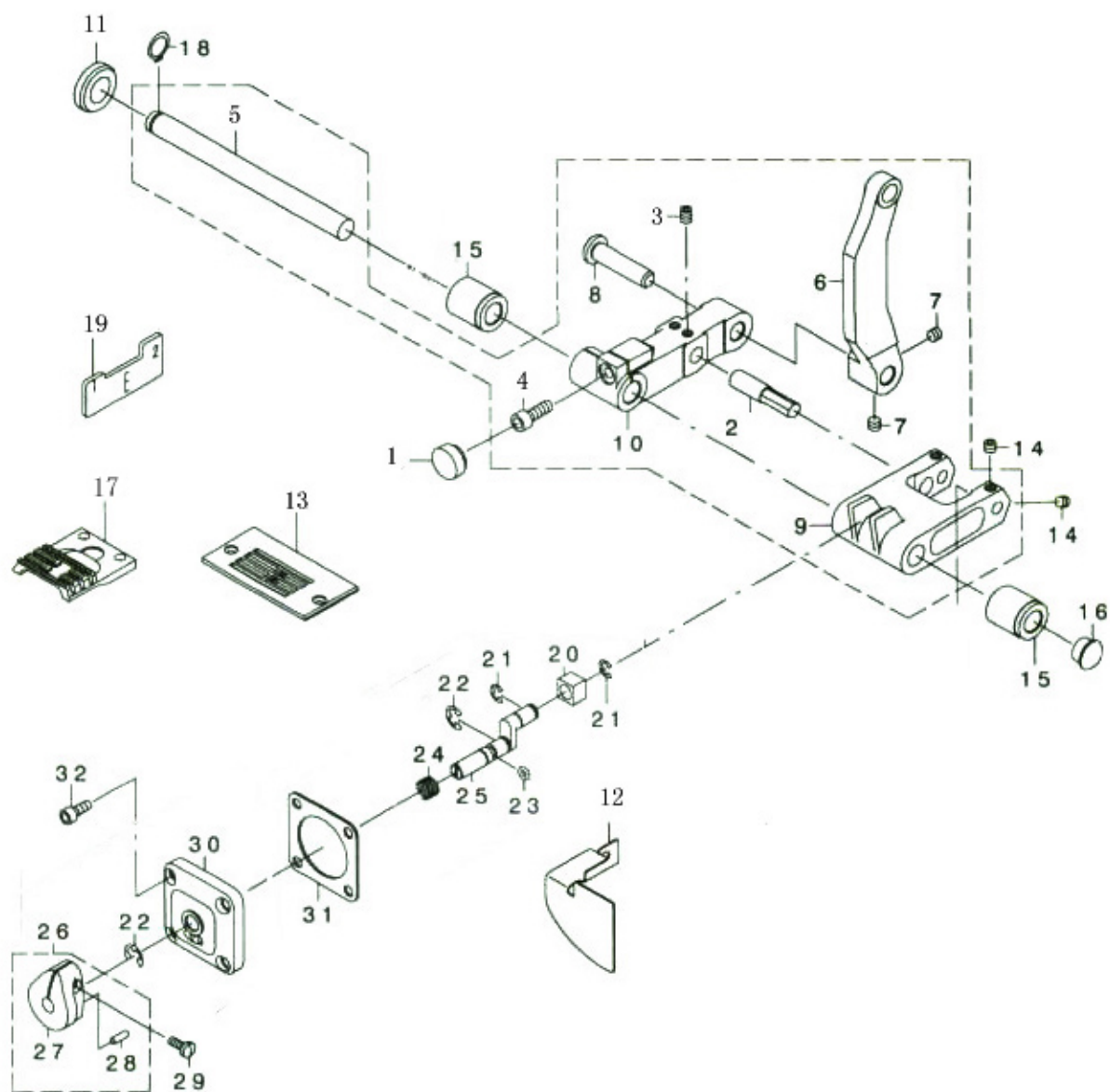
特种机系列>2284> 6摆针部件 (2)

序号NO	品号CODE	名称	NAME	数量
1	PF22840601	针位调节底座	NEEDLE POSITION CHANGE BASE	1
2	PF22840602	针位调节底座螺钉	HINGE SCREW D=8 H=4	1
3	PF22840603	波形垫圈	WAVED WASHER 8.5X12.5X0.3	3
4	PF7811573	螺母	NUT 15/64-28	1
5	PF22840605	针杆调节固定板	CHANGE BASE FITTING PLATE	1
6	PF22840606	机臂	ARM	1
7	PF22840607	摆针变位轴	SHAFT	1
8	PF555068	摆针变位轴螺钉	SCREW 9/64-40 L=6	3
9	PF22840646	垫圈	WASHER	2
10	PF22840610	波形垫圈	WAVED WASHER	1
11	SCJ1017	开口挡圈	SNAP RING M10.	1
12	PF22840612	机臂销	SHAFT	1
13	PF7811573	螺母	NUT 15/64-28	1
14	PF22840614	限位器组件	STOPPER ASM.	1
15	/	卡簧	E-RING	1
16	PF22840616	螺母	NUT	1
17	PF22840617	止动螺母	NUT STOPPER	1
18	PF22840618	杠杆组件	LEVER ASM.	1
19	绷缝201629	卡簧	E-RING 4 厚度0.8	1
20	PF22840620	滚珠	HAND STOP CRANK SHAFT BALL	1
21	PF22840621	弹簧	SPRING	1
22	PF22840622	油封	OIL SHIELD	1
23	PF22840623	止动螺母螺钉	SCREW 9/64-40 L=5.0	1
24	PF22840624	密封垫	PACKING	1
25	PF22840625	挡圈	ROLLER	1
26	PF22840626	针位调节螺钉	ADJUSTING PICK-UP SCREW	1
27	PF22840627	针位锁紧螺母	ADJUSTING PICK-UP	1
28	BF8004538	针位锁紧螺母螺钉	SCREW M4X0.7 L=5	2
29	PF22840629	摆针旋钮	KNOB	1
30	PF22840630	摆针旋钮限位挡圈	LEVER STOPPER	2
31	PF22840631	摆针旋钮螺钉	SCREW 9/64-40 L=6	2
32	PF22840632	摆针旋钮垫圈	WASHER	2
33	PF22840633	摆针旋钮杠杆	LEVER	1
34	/	刻度盘组件	SCALE PLATE ASM.	1
35	PF2284063401	刻度盘	SCALE PLATE	(1)
36	PF2284063402	刻度盘安装板	SCALE MOUNTING BASE COMPL.	(1)
37	PF38000114	刻度盘螺钉	SCREW 1/8-44 L=2.5	(2)
38	PF22840635	机壳前盖板	SIDE COVER ASM.	1
39	PF22840636	刻度拨盘	LEVER	1
40	PF22840637	刻度拨盘手柄	KNOB	1
41	PF22840630	刻度拨盘止动环	LEVER STOPPER	2
42	PF22840639	刻度拨盘螺钉	SCREW 9/64-40 L=3.5	2
43	PF22840632	刻度拨盘垫圈	WASHER 3.7X8X1	2
44	PF22840641	限位键	KEY	1
45	PF22840642	弹簧	SPRING	1
46	PF555016	针杆调节固定板螺钉	SCREW 3/16-28 L=10	4
47	BF80011752	摆针旋钮杠杆螺钉	SCREW 9/64-40 L=8.5	1
48	PF03030447	摆针旋钮螺钉	SCREW 3/16-32 L=6.5	1
49	PF22840646	垫圈	WASHER	1

50	PF22840610	波形垫圈	WAVED WASHER 8.5X12.5X0.3	2
51	PF22840646	垫片	WASHER	1
52	/	垫片	WASHER 3.7X6X1	1

# 7. 摆针凸轮转换部件 (3)

## NEDLE VIBRATOR CAM CHANGED COMPONENTS (3)



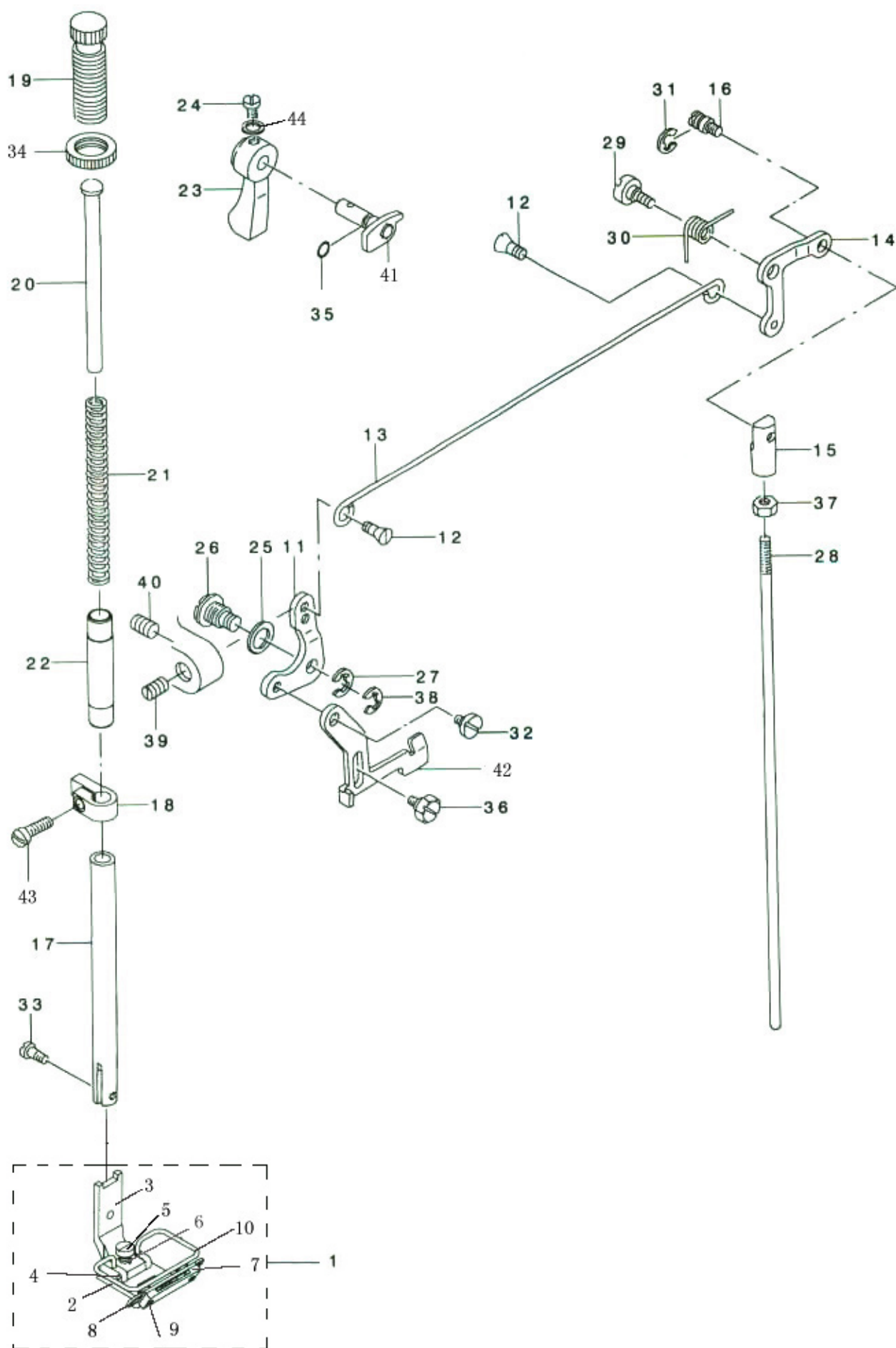
**特种机系列>2284>7摆针凸轮转换部件 (3)**

序号NO	品号CODE	名称	NAME	数量
1	PF22840701	橡皮塞	RUBBER PLUG	1
2	PF22840702	销	DIA PIN A	1
3	PF1900A0602	针杆摆动臂销螺钉	SCREW M5X6	2
4	BF310164501	针杆摆动臂螺钉	SCREW M5X0.8 L=14	1
5	PF22840705	机针摆动轴	NEEDLE DRIVING SHAFT	1
6	PF22840706	机针摆动杆	NEEDLE DRIVING ROD	1
7	PF1900A0602	机针摆动杆螺钉	SCREW M5 L=4	2
8	PF22840708	针杆摆动臂销	THREAD TRIMMER SHAFT	1
9	PF22840709	摆针凸轮臂	NEEDLE CAM ARM	1
10	PF22840710	摆针摆动臂	NEEDLE DRIVING ARM	1
11	PF22840711	橡皮塞	RUBBER PLUG	1
12	PF22840712	防油板	OIL SHIELD	1
13	PF22840713	针板	NEEDLE PLATE	1
14	PF1900A0602	摆针凸轮臂螺钉	SCREW M5 L=4	4
15	PF22840715	摆针轴前后套	METAL, FRONT	2
16	PF22840716	橡皮塞	PLUG	1
17	PF22840717	送布牙	FEED DOG	1
18	SCJ1017	止动环	SNAP RING M10	1
19	PF22840719	同步板	TIMING GAUGE E	1
20	PF22840720	滑块	ROLLER	1
21	/	卡簧	E-RING4	2
22	/	卡簧	E-RING	2
23	PF22840723	O型圈	RUBBER RING 7x4x1.5	1
24	PF22840724	弹簧	SPRING	1
25	PF22840725	变换滑动轴	CHANGE OVER SLIDE SHAFT	1
26	PF22840726	变换杆组件	CHANGE OVER LEVER ASM.	1
27	/	变换杆	CHANGE OVER LEVER	(1)
28	/	限位销	PIN	(1)
29	PF555049	变换杆螺钉	SCREW 9/64-40 L=8.5	1
30	PF22840728	变换座	CHANGE OVER BASIS	1
31	PF22840106	密封垫	GASKET	1
32	PF22840730	变换座螺钉	SCREW	4



# 8. 压脚部件

## PRESSER BAR & FEED REGULATOR COMPONENTS

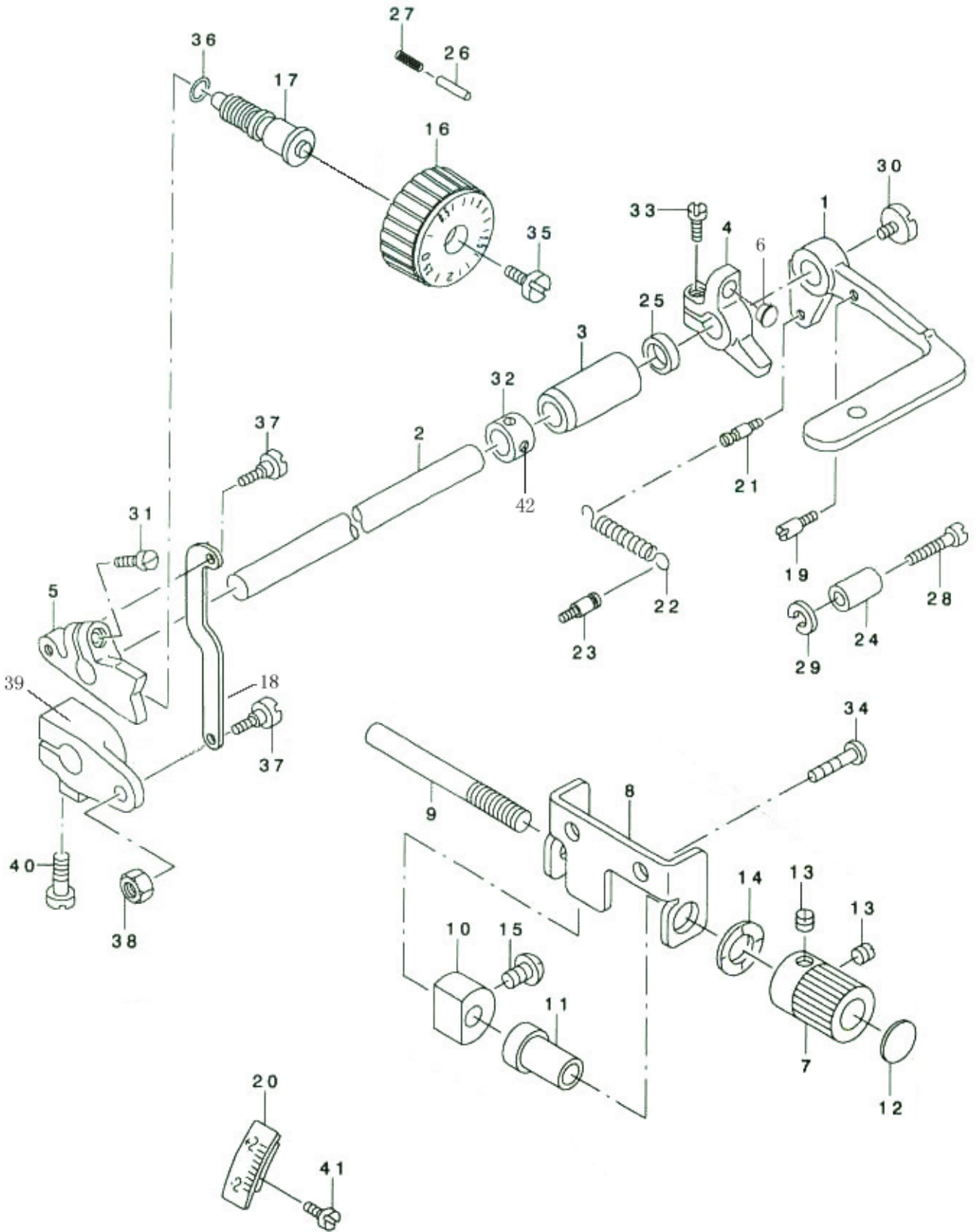


**特种机系列>2284>8压脚部件**

序号NO	品号CODE	名称	NAME	数量
1	PF22840801	压脚组件	PRESSER FOOT ASM.	1
2	/	压脚底板	PRESSER FOOT MOTHERBOARD	(1)
3	/	压脚柄	PRESSER FOOT POWER	(1)
4	/	压脚销	PRESSER FOOT PIN	(1)
5	/	压脚螺钉	PRESSER FOOT SCREW	(1)
6	/	压脚弹簧	PRESSER FOOT SPRING	(1)
7	/	夹带压板	CARRY SECRETLY PLATE	(1)
8	/	带槽宽度调节板	BREADTH ADJUSTING PLATE	(1)
	/	带槽宽度调节板	BREADTH ADJUSTING PLATE	(1)
9	/	带槽宽度调节板螺钉	SCREW	(2)
10	/	护指架	FINGER COVER	(1)
11	PF22840802	抬压脚前杠杆	LIFTING LEVER LINK	1
12	PF5550430	铰链螺钉	HINGE SCREW	2
13	PF22840804	抬压脚拉杆	LIFTING LEVER CONNECTING ROD	1
14	PF22840805	抬压脚后杠杆	LIFTING LEVER LINK ARM	1
15	PF22840806	抬压脚顶杆接头	SWIVEL	1
16	PF22840807	抬压脚后杠杆螺钉	CONNECTING ROD HINGE SCREW	1
17	PF22840808	压杆	PPRESSER BAR	1
18	PF22840809	压杆导架	PRESSER BAR GUIDE BRACKET	1
19	PF22840810	调压螺钉	PRESSER SPRING REGULATOR	1
20	PF22840811	压脚导柱	PRESSER GUIDE BAR	1
21	PF22840812	调压簧	PRESSER SPRING REGULATOR	1
22	PF5550410	压杆下套	PRESSER BAR BUSHING, LOWER	1
23	PF22840814	压脚扳手	HAND LIFTER CAM COMPL.	1
24	PF22900523	压脚扳手螺钉/垫片	SCREW 9/64-40 L=9.5	1
25	PF22840816	铰链螺钉密封圈	LIFTING LEVER GASKET	1
26	PF22840817	铰链螺钉	HINGE PIN	1
27	/	卡簧	E-RING	1
28	PF22840819	抬压脚顶杆	LIFTING LEVER	1
29	PF22840820	抬压脚后杠杆铰链螺钉	KNEE LIFTING LINK STEP-SCREW	1
30	PF22840821	抬压脚后杠杆弹簧	KNEE LIFTING LINK SPRING	1
31	/	卡簧	E-RING	1
32	PF22840823	铰链螺钉	HINGE SCREW D=6.35 H=3	1
33	PF22840824	压脚螺钉	SCREW 9/64-40 L=8.5	1
34	/	螺压螺母	NUT	1
35	PF22840826	O型圈	RUBBER RING 7.4x3.8x1.8	1
36	PF22840827	铰链螺钉	HINGE SCREW D=6.35 H=2.7	1
37	PF22840828	抬压脚顶杆调节螺母	NUT 3/16-32	1
38	/	卡簧	E-RING6	1
39	PF5550330	压脚浮动调节螺钉	SCREW	1
40	PF22840831	压脚浮动锁定螺钉	SCREW 15/64-28 L=4.7	1
41	PF22840832	抬压脚凸轮组件	HAND LIFTER CAM COMPL.	1
42	PF22840833	压脚升降板	LIFTING LEVER	1
43	PF22840834	压紧导架螺钉	SCREW 11/64-40 L=10.5	1
44	BF700W10	压脚扳手螺钉垫片	WASHER	1
45	BF5550432	压杆挡油罩		1

# 9. 倒针部件

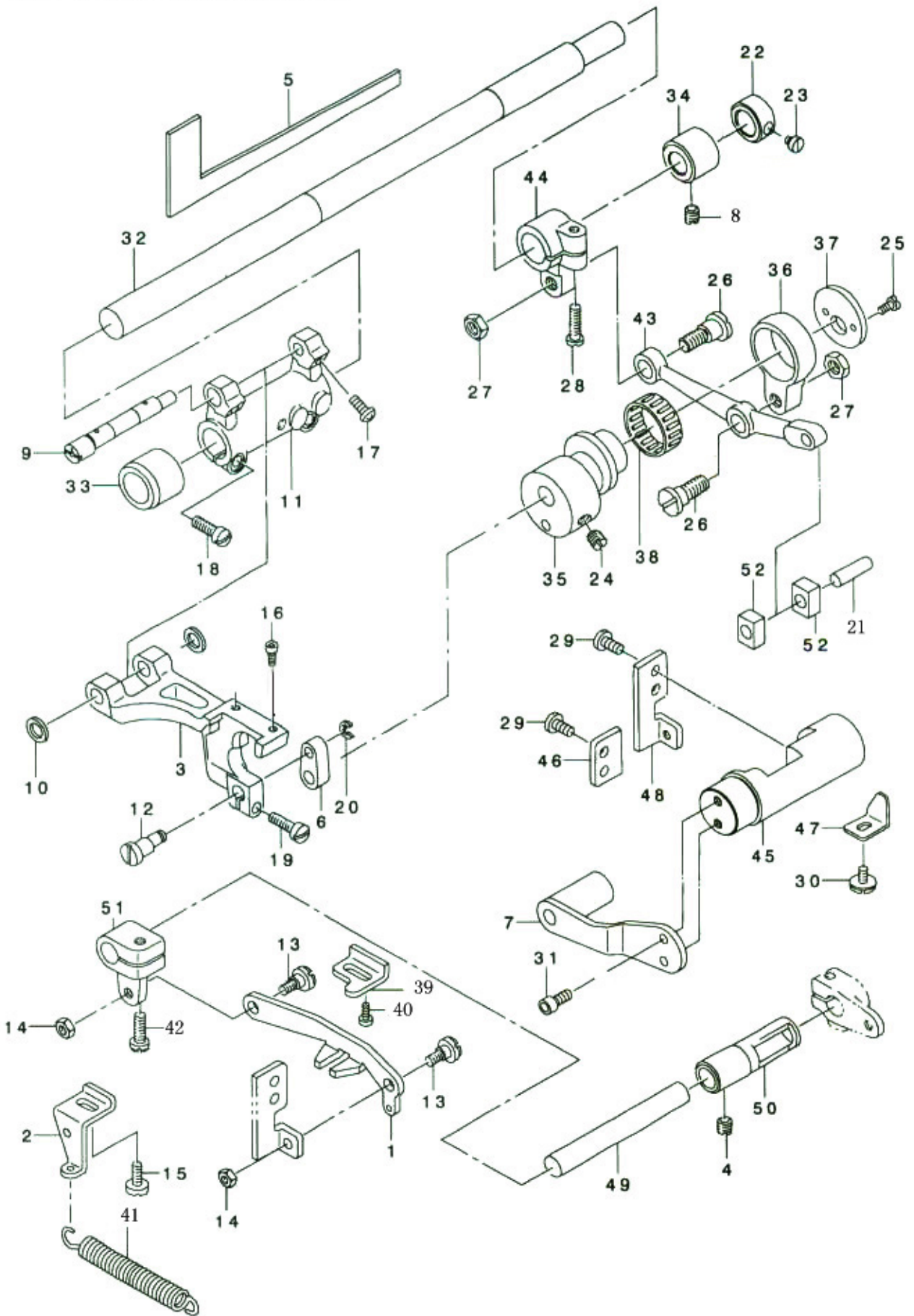
## FEED MECHANISM & CONDENSE COMPONENTS



**特种机系列>2284>9倒针部件**

序号NO	品号CODE	名称	NAME	数量
1	PF22840901	倒针扳手	LEVER	1
2	PF22840902	倒针扳手轴	SHAFT	1
3	PF22840903	倒针扳手轴套	BUSHING	1
4	PF22840904	倒缝限位曲柄	CONDENSE STOPPER ARM ASM.	1
5	PF22840905	送料调节器	FEED DRIVING ADJUSTER	1
6	PF22840906	倒针扳手限位曲柄尼龙塞	NYLON PLUG	1
7	PF22840907	旋钮	KNOB	1
8	/	调节螺杆底板	ADJUSTING SCREW BASE	1
9	/	调节螺杆	ADJUSTING SCREW	1
10	/	限位器	STOPPER	1
11	/	调节螺套	SHAFT	1
12	/	刻度板	STOPPER DIAL PLATE	1
13	PF7810324	旋扭螺钉	SCREW 11/64-40 L=3.5	2
14	PF22840610	波形垫圈	WAVED WASHER	1
15	PF22840915	限位器螺钉	SCREW 11/64-40 L=7	1
16	PF22840916	针距标盘	FEED DIAL	1
17	PF22840917	调节螺杆	ADJUSTING SCREW	1
18	PF22840918	倒送料连杆	FEED REVERSAL LINK	1
19	PF22840919	限位销	PIN	1
20	PF22840920	刻度盘	SCALE PLATE	1
21	PF22840921	拉簧销	SPRING SUSPENSION	1
22	PF22840922	拉簧	TORSION SPRING	1
23	PF1900150111	拉簧销	TENSION SPRING RACK B	1
24	PF22840924	倒送料扳手限位器	REVERSE FEED LEVER STOPPER	1
25	PF22840925	油封	OIL SEAL	1
26	PF22840926	限位钉	PIN	1
27	PF22840927	弹簧	SPRING	1
28	PF22840928	螺钉	SCREW 3/16-28 L=14	1
29	BF31016240049	弹簧垫圈	SPRING WASHER 5.1X9.2X1.3	1
30	PF22840645	螺钉	SCREW 3/16-32 L=6.5	1
31	PF55501013	螺钉	SCREW 3/16-28 L=14	1
32	PF22840526	倒送扳手轴挡圈	THRUST COLLAR ASM D=10.32 W=1	1
33	PF55501013	倒送限位曲柄螺钉	SCREW 3/16-28 L=14	1
34	PF5550230	调节螺杆底座螺钉	SCREW 3/16-28 L=6	2
35	PF22840935	针距标盘螺钉	SCREW 3/16-28 L=18	1
36	PF22840936	O型圈	RBER RING 12.1x7.5x2.3	1
37	/	倒送料连杆铰链螺钉	HINGE SCREW D=6, H=3.2	2
38	PF7810142	倒送料连杆螺母	NUT 3/16-28	1
39	PF22840939	倒送料曲柄	FEED VARIABLE ARM B	1
40	PF22840940	倒送料曲柄螺钉	SCREW 3/16-28 L=15.5	1
41	PF5550230	刻度盘螺钉	SCREW 3/16-28 L=6	2
42	PF90008129	倒顺扳手轴挡圈螺钉	SCREW	2

10. 送料、拾牙部件  
FEED MECHANISM COMPONENTS



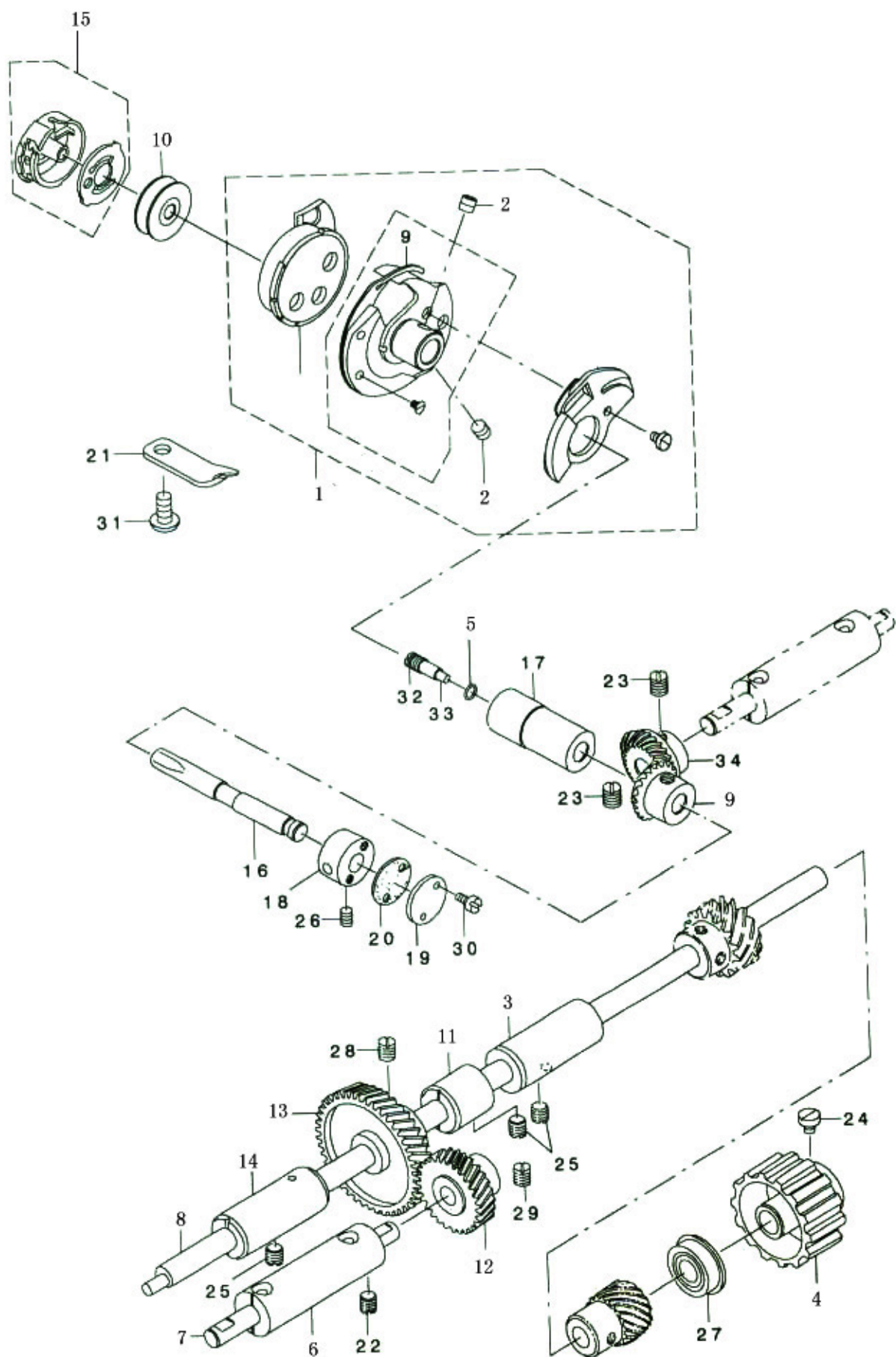


## 特种机系列>2284>10送料、抬牙部件

序号NO	品号CODE	名称	NAME	数量
1	PF22841001	倒送料调节器连杆	FEED REVERSAL LINK	1
2	PF22841002	拉力弹簧架	TENSION SPRING RACK	1
3	PF22841003	送料牙架	FEED BASE	1
4	PF5550330	送料可变轴套螺钉	SCREW 15/64-28 L=4.7	1
5	PF22841005	羊毛毡	FELT	1
6	PF22841006	抬牙小连杆	LINK	1
7	PF22841007	平衡重量组件	BALANCE WEIGHT COMPL.	1
8	PF7810316	送料轴后套螺钉	SCREW 15/64-28 L=7	1
9	PF22841009	牙架偏心销	FEED BASE SHAFT	1
10	PF22841010	送料牙架间隙垫片	SPACER	2
11	PF22841011	送料牙架曲柄	FEED ROCKER	1
12	PF22841012	抬牙偏心销	LINK SHAFT	1
13	PF22841013	铰链螺钉	HINGE SCREW D=6 H=3.2	2
14	PF7810142	螺母	NUT 3/16-28	2
15	PF22841015	拉力弹簧架螺钉	SCREW11/64-40 L=11	1
16	PF2052952	送料牙螺钉	SCREW1/8-40 L=7	2
17	PF22840448	牙架销螺钉	SCREW3/16-28 L=9	2
18	PF55501013	牙架曲柄螺钉	SCREW3/16-28 L=14	2
19	PF555016	牙架螺钉	SCREW3/16-28 L=14	1
20	PF1310K19	抬牙偏心销卡簧	E-RING3 E3*φ7*0.6	1
21	PF22841021	送料传动摇杆滑块销	PIN	1
22	PF22841022	挡圈	THRUST COLLAR ASM D=11.11, W=10	1
23	PF90008129	挡圈螺钉	SCREW1/4-40 L=7	1
24	PF90008129	送料偏心凸轮螺钉	SCREW1/4-40 L=8	2
25	/	凸轮连杆盖螺钉	SCREW1/8-44 L=6.4	2
26	PF22841026	连杆螺钉	HINGE SCREW D=9 H=7	2
27	PF0302626	连杆螺母	NUT 9/32-28	2
28	PF55501013	送料轴曲柄螺钉	SCREW3/16-28 L=15.5	1
29	PF6150227	挡板螺钉	SCREW11/64-40 L=8.5	4
30	PF22841030	摇杆限位板螺钉	SCREW11/64-40 L=7	1
31	PF22840730	平衡重量组件螺钉	SCREW	2
32	PF22841032	送料轴	FEED ROCKER SHAFT	1
33	PF22841033	送料轴前套	BUSHING , FRONT	1
34	PF22841034	送料轴后套	FEED ROCKER SHAFT BUSHING , FRO	1
35	PF22841035	送料偏心凸轮	ECENTRIC CAM	1
36	/	凸轮连杆	ROD	1
37	/	送料凸轮连杆盖板	SIDE DISC PLATE	1
38	/	滚针轴承	BEARING	1
39	PF22841039	送料限位板	REVERSE FEED LIMITER	1
40	PF22841015	送料限位板螺钉	SCREW 11/64-40 L=11	1
41	PF22841041	拉簧	TENSION SPRING RACK	1
42	PF22840940	送料可变曲柄螺钉	SCREW 3/16-28 L=14	1
43	PF22841043	偏心凸轮连杆	CONNECTING ROD	1
44	PF22841044	送料轴曲柄	FEED ROCKER SHAFT CRANK	1
45	PF22841045	送料传动摇杆	FEED DRIVING ROCKER	1
46	PF22841046	挡板A	PLATE A	1
47	PF22841047	摇杆限位板	STOPPER PLATE	1
48	PF22841048	挡板B	PLATE B	1
49	PF22841049	送料可变轴	FEED VARIABLE SHAFT	1

50	PF22841050	送料可变轴套	BUSHING , FRONT	1
51	PF22841051	送料可变曲柄	FEED VARIABLE ARM C	1
52	PF22841052	送料传动摇杆滑块	FEED DRIVING ROCKER BLOCK	2

# 11. 下轴、勾线部件 HOOK DRIVING SHAFT & HOOK COMPONENTS



**特种机系列>2284>11下轴勾线部件**

序号NO	品号CODE	名称	NAME	数量
1	PF22841101	旋梭组件	HOOK COMPL, RIGHT	1
2	/	旋梭螺钉	SCREW 11/64-40 L=4.5	(2)
3	PF22841102	下轴后轴套	BUSHING , REAR	1
4	PF22841103	下轴同步轮	HOOK DRIVING SHAFT SPROCKET	1
5	PF22841104	橡皮圈	RUBBER RING	1
6	PF22841105	旋梭驱动轴套	BUSHING	1
7	PF22841106	旋梭驱动轴	SHAFT	1
8	PF22841107	下轴	HOOK DRIVING SHAFT	1
9	PF22841108	旋梭伞齿轮	PINION ASM.	1
10	PF22841109	梭心	BOBBIN S	1
11	PF22841110	下轴中轴套	BUSHING , INTERMEDIATE	1
12	PF22841111	驱动轴斜齿轮	HELICAL GEAR B	1
13	PF22841112	下轴斜齿轮	HELICAL GEAR A, A	1
14	PF22841113	下轴前轴套	BUSHING , FRONT	1
15	PF22841114	梭心套组件	BOBBIN CASE ASM.	1
16	PF22841115	旋梭轴	HOOK SHAFT	1
17	PF22841116	旋梭后轴套	HOOK SHAFT BUSHING	1
18	PF22841117	旋梭前轴套	HOOK SHAFT BUSHING	1
19	PF22841118	旋梭轴套盖	BUSHING CAP	1
20	PF22841119	轴套盖密封垫	GASKET	1
21	PF22841120	旋梭定位勾	INNER HOOK STOPPER	1
22	PF7810316	旋梭驱动轴套螺钉	SCREW 15/64-28 L=7	1
23	PF90008129	齿轮螺钉	SCREW 1/4-40 L=8	4
24	PF22841123	同步轮螺钉	SCREW 1/4-40 L=7	2
25	PF7810316	下轴前轴套螺钉	SCREW 15/64-28 L=7	3
26	PF7810316	旋梭轴轴套螺钉	SCREW 15/64-28 L=8	1
27	PF22841126	轴承	BEARING D=9. 52X22. 22	1
28	PF90008129	齿轮螺钉	SCREW 1/4-40 L=8	2
29	PF90008129	齿轮螺钉	SCREW 1/4-40 L=8	2
30	PF22841129	轴套盖螺钉	SCREW 1/8-44 L=6	2
31	PF555056	定位勾螺钉	SCREW 11/64-40 L=9	1
32	PF22841131	旋梭油量调节螺钉	OIL SEAL SCREW	1
33	PF22841132	油芯	OIL WICK	1
34	PF22841133	旋梭驱动伞齿轮	GEAR ASM. LARGE	1



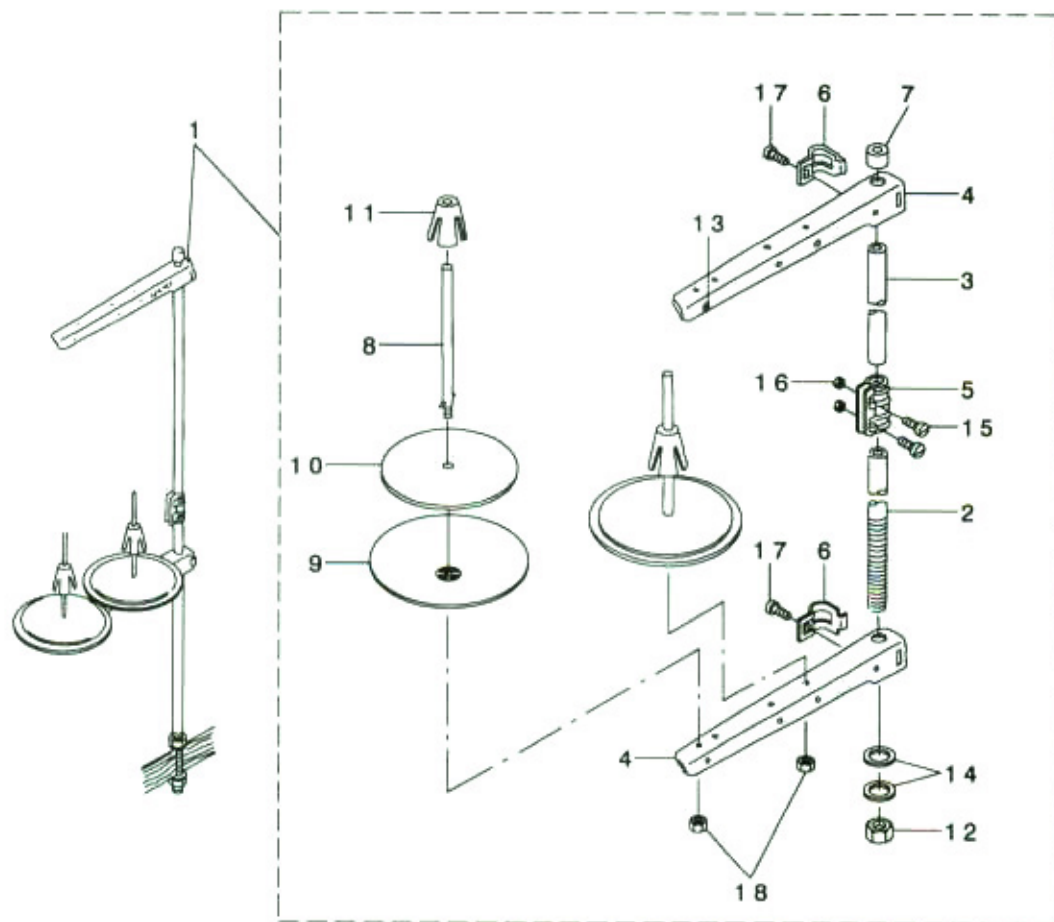


特种机系列>2284>12润滑部件

序号NO	品号CODE	名称	NAME	数量
1	/	上轴供油管组件	OIL SUPPLY PIPE ASM.	1
	PF2284120101	橡皮油管 短	Rubber tube	1
	PF2284120102	上轴供油管	OIL SUPPLY PIPE	1
	PF2284120103	橡皮油管 长	Rubber tube	1
2	PF22841202	下轴供油管	OIL SUPPLY PIPE	1
3	PF22841203	分配器	DISTRIBUTOR	1
4	PF22841204	油管夹	FELT ASM.	1
5	PF22841205	压毡簧	FELT PRESSER	1
6	PF22841206	密封垫	GASKET	1
7	PF22841207	示油窗供油管	OIL TUBE	1
8	PF22841208	竖轴套筒	BUSHING	1
9	PF7810324	螺钉	SCREW 11/64-40 L=5	1
10	PF22841210	竖轴	UPRIGHT SHAFT	1
11	PF22841211	油泵齿轮	PUMP DRIVING GEAR	1
12	PF22841212	下轴油泵齿轮	PUMP DRIVING GEAR A	1
13	PF22841213	柱塞压板	PLUNGER THRUST PLATE	1
14	PF22841214	柱塞弹簧	PLUNGER SPRING	1
15	PF22841215	柱塞	PLUNGER	1
16	PF22841216	油量调节螺钉	OIL REGULATING SCREW	1
17	/	电线扎带	CABLE BAND	1
18	PF22841218	油箱	OIL TANK	1
19	PF22841219	油量调节销	OIL REGULATING SCREW	1
20	PF22841220	油量销弹簧	SPRING	1
21	PF22841221	油管导向板	OIL FELT GUIDE	1
22	PF7810316	竖轴套筒螺钉	SCREW 15/64-40 L=7	1
23	PF90008108	油管夹螺钉	SCREW 11/64-40 L=7	1
24	PF22841224	吸油管连接螺钉	CONNECTING SCREW	1
	PF2284122401	复合垫片	WASHER	1
25	PF22841015	油泵底座螺钉	SCREW 11/64-40 L=11	2
26	PF90008129	油泵齿轮螺钉	SCREW 1/4-40 L=4.5	2
27	PF90008129	下轴油泵齿轮螺钉	SCREW 1/4-40 L=4.5	2
28	PF22841228	柱塞压板螺钉	SCREW 11/64-40 L=7	1
29	PF22841224	分配器连接螺钉	CONNECTING SCREW	2
30	PF22841230	吸油毡	OIL WICK	0.2
31	PF7811573	螺母	NUT 15/64-28	1
32	PF22840304	调油座螺钉	SCREW 11/64-40 L=5	1
33	PF7810324	挡圈螺钉	SCREW	2
34	PF22841224	旋梭轴供油管连接螺钉	CONNECTING SCREW	1
35	PF22840518	油箱座螺钉	SCREW 11/64-40 L=14	2
36	PF22841224	油管连接螺钉	CONNECTING SCREW	1
37	/	油管	OIL TUBE	0.3
38	PF22840304	导向板螺钉	SCREW 11/64-40 L=5	1
39	PF22841239	O型圈	RUBBER RING 7x3x2	1
40	PF22841240	挡圈	THRUST COLLAR ASM.	1
41	PF22841241	油泵组件	LUBRICATING OIL PUMP ASM.	1
42	/	油泵底座	OIL PUMP INSTALLING BASE	(1)
43	PF2284124102	油管橡皮接头	RUBBER JOINT	(1)
44	PF2284124103	油管橡皮接头	RUBBER JOINT	(1)
45	/	润滑油管泵	LUBRICATING OIL PUMP	(1)

46	/	油泵进油器	OIL PUMP IMPELLER	(1)
47	/	油泵盖底	OIL PUMP IMPELLER COVER	(1)
48	/	油泵盖底螺钉	SCREW M3X0.5 L=10	(3)
49	/	垫圈	WASHER	(3)
50	/	螺母	NUT M3X0.5	(3)
51	/	油泵盖	LUBRICATING OIL PUMP COVER	(3)
52	/	螺钉	SCREW	(5)
53	PF22841242	调油座阀组件	OIL REGULATING VALVE ASM.	1
54	/	垫圈	WASHER	(2)
55	PF7811036	连接板螺钉	SCREW 11/64-40 L=14	(1)
56	PF2284124203	调油座	OIL REGULATING VALVE	(1)
57	PF2284124204	调油座连接板	WIPER LINK JOINT	(1)
58	/	油管	OIL TUBE	(0.18)
59	/	油管	OIL TUBE	(0.14)
60	PF2284124207	调油螺钉	OIL ADJUSTING SCREW	(1)
61	PF2284124208	螺母	NUT 11/64-40	(1)
62	/	油线	OIL WICK	0.2
63	/	吸油管	OIL TUBE	1

### 13. 线架部件 THREAD STAND COMPONENTS

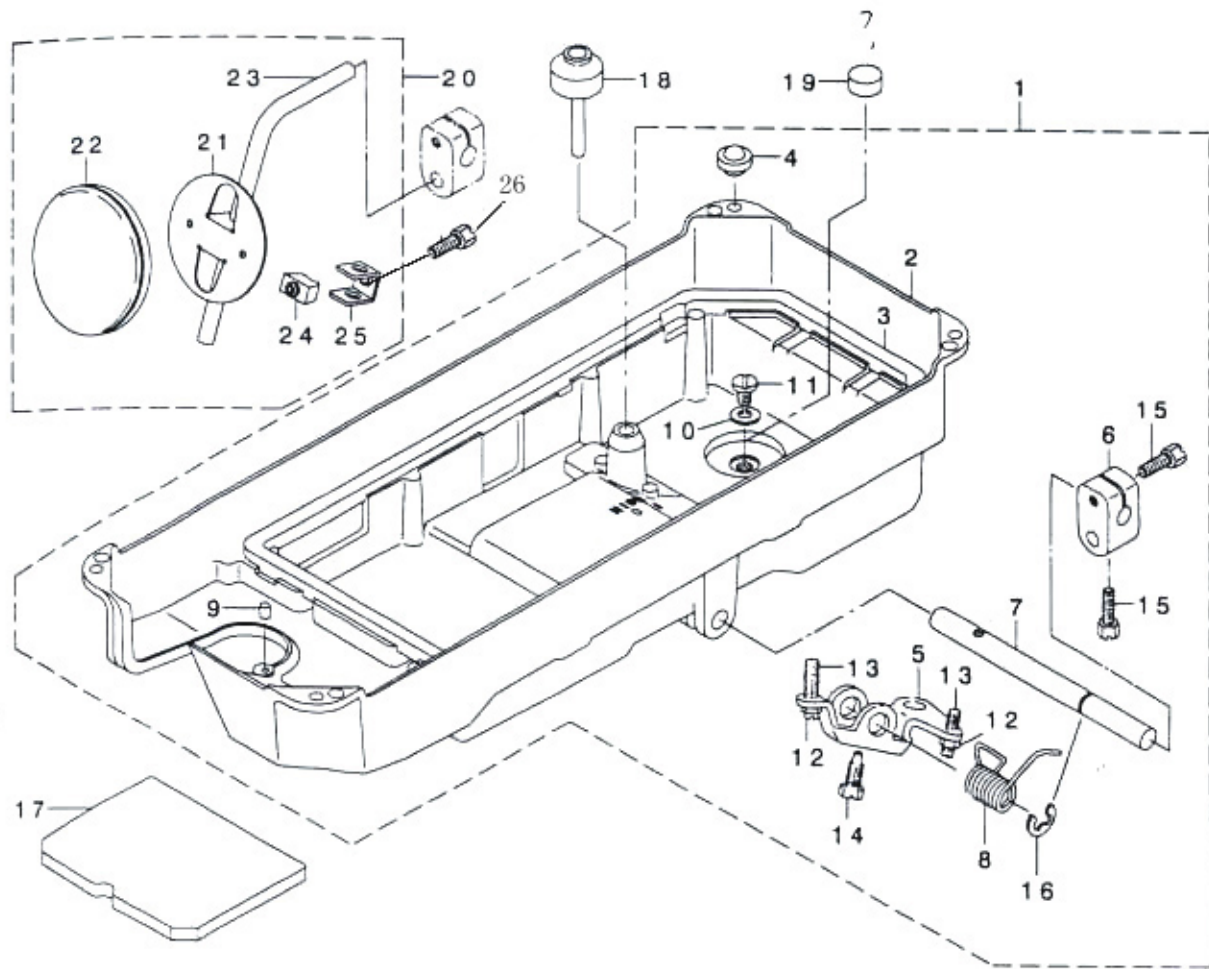


**特种机系列>2284>13线架部件**

序号NO	品号CODE	名称	NAME	数量
1	PF55501127	线架组件	THREAD STAND ASM.	1
2	/	线架下杆	SPOOL REST ROD, LOWER	(1)
3	/	线架上杆	SPOOL REST ROD , UPPER	(1)
4	/	线架臂	THREAD GUIDE ARM B	(2)
5	/	上下杆接头	SPOOL REST ROD JOINT	(1)
6	/	线架臂接头	THREAD GUIDE ARM JOINT	(2)
7	/	线架杆帽	SPOOL REST ROD CAP	(1)
8	/	线盘钉	SPOOL PIN	(2)
9	/	线盘	SPOOL REST	(2)
10	/	线盘垫	SPOOL REST CUSHION	(2)
11	/	线盘固定架	SPOOL RETAINER	(2)
12	/	螺母	NUT	(1)
13	/	导线塞	THREAD GUIDE	(2)
14	/	垫圈	WASHER 16X30X2.6	(2)
15	/	螺钉	SCREW M5 L=14	(2)
16	/	螺母	NUT M5	(2)
17	/	螺钉	SCREW M6 L=16	(2)
18	/	螺母	NUT M5	(2)

# 14. 油盘、膝控部件

## OIL RESERVOIR & KNEE LIFTER COMPONENTS



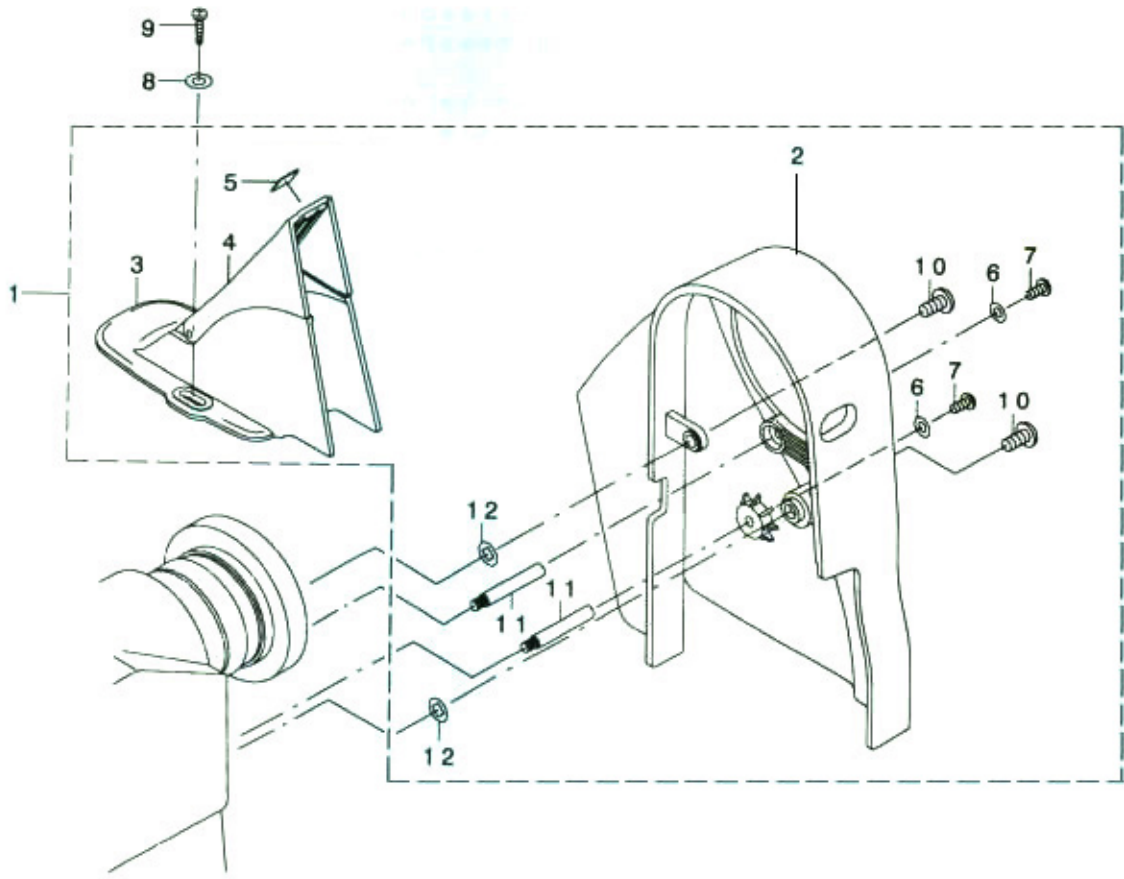


**特种机系列>2284>14油盘、膝控部件**

序号NO	品号CODE	名称	NAME	数量
1	/	油盘组件	OIL RESERVOIR ASM.	1
2	PF2284140101	油盘	OIL RESERVOIR	(1)
3	PF2284140102	油盘密封垫	OIL RESERVOIR GASKET	(1)
4	/	垫块	RUBBER CUSHION	4
5	PF5550912	抬压脚双向曲柄	CONNECTING ROT, VERTICAL	(1)
6	PF5550919	抬压脚操纵接头	BRACKET	(1)
7	PF5550917	膝提压脚轴	KNEE PRESS ROD	(1)
8	PF5550916	弹簧	SPRING	(1)
9	PF2284140108	橡胶塞	RUBBER PLUG	(1)
10	PF555096	O 型圈	RUBBER RING	(1)
11	PF2284140110	油盘放油螺钉	SCREW	(1)
12	/	螺母	NUT M6	(2)
13	/	螺栓	SCREW M6 L=30	(2)
14	/	抬压脚双向曲柄螺钉	SCREW M6 L=17.5	(1)
15	/	操纵杆接头螺钉	SCREW M6 L=20	(2)
16	PF5550918	卡簧	E-RING 10	(1)
17	PF22841402	油盘海绵擦	OIL RESERVOIR BASE	1
18	PF22841403	压脚顶杆	KNEE PRESS LIFTER ROD	1
19	/	磁铁	OIL RESERVOIR MAGNET	1
20	/	操纵板组件	KNEE PRESS PLATE ASM.	1
21	PF5550923	操纵板	KNEE PRESS PLATE	(1)
22	PF5550924	操纵板软垫	KNEE PRESS PLATE COVER	(1)
23	PF5550922	操纵杆	KNEE LIFTER PLATE ROD	(1)
24	PF5550925	操纵杆垫块	RUBBER	(1)
25	PF5550926	操纵杆夹头	KNEE PRESS PLATE HOLDER	(1)
26	/	操纵杆夹头螺钉	SCREW	(1)

# 15. 带轮罩部件

## BELT COVER COMPONENTS (15)



**特种机系列>2284>15带轮罩部件**

序号NO	品号CODE	名称	NAME	数量
1	PF22841501	带轮罩组件	BELT COVER ASM.	1
2	/	上轮前罩壳	BELT COVER A	(1)
3	/	上轮后罩壳 (B)	BELT COVER B	(1)
4	/	上轮后罩壳 (C)	BELT COVER C	(1)
5	/	橡胶粘贴板	VOBROISOLATING RUBBER	(1)
6	/	垫圈	WASHER 4.5X10X0.8	(2)
7	PF6150227	支柱螺钉	SCREW 11/64-40 L=9	(1)
	BF700S027	支柱螺钉	SCREW 11/64-40 L=9	(1)
8	/	垫圈	WASHER 4.5X10X0.8	(2)
9	/	木螺钉	WOOD SCREW D=4.1, L=20	(2)
10	PF2284150109	前罩壳固定螺钉	SCREW 15/64-28 L=12	(2)
11	PF2284150110	前罩壳支柱	BELT COVER SUPPORT STUD	(2)
12	PF2284150111	垫圈	WASHER	(2)



**特种机系列>2284>16附件部件**

序号NO	品号CODE	名称	NAME	数量
1	PF555098	油盘座垫	OIL RESERVOIR FELT CUSHION	2
2	PF555099	油盘支座	OIL RESERVOIR RUBBER CUSHION	2
3	/	铜钉	NAIL	12
4	PF5550101	机头连接勾	MACHINE HINGE	2
5	PF5550102	机头连接座	MACHINE HINGE PLATE	2
6	DTDP5#11	机针	NEEDLE	3
7	PF55501021	机头支柱	MACHINE REST IN	1
8	PF55501016	螺丝刀(大)	SCREWDRIVER LARGE	1
9	PF55501017	螺丝刀(中)	SCREWDRIVER MEDIUM	1
10	PF55501018	螺丝刀(小)	SCREWDRIVER SMALL	1
11	/	内六角扳手2.5	HEXAGON WRENCH 2.5	1
12	/	内六角扳手2	HEXAGON WRENCH2	1
13	PF55501022	大油壶	OIL RESERVOIL ASM	1
14	PF5550102001	机头罩	MACHINE HEAD COVER	1
15	PF55501023	汽泡袋	PACKET	10
16	PF22840719	同步板	TIMING GAUGE E	1
17	PF22841109	梭心.	BOBBIN S	2
18	PF22840113	导线柱	THREAD GUIDE PIN	1